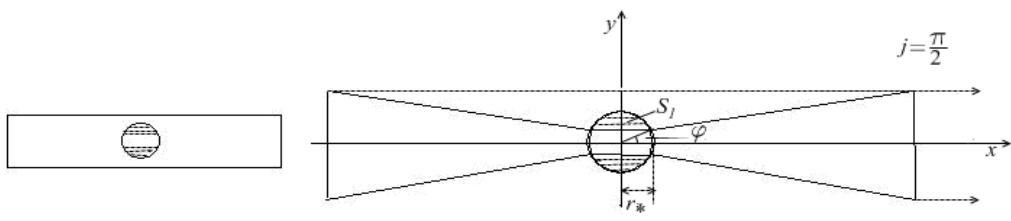
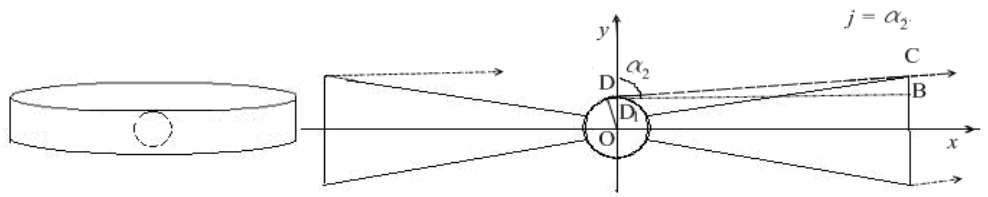
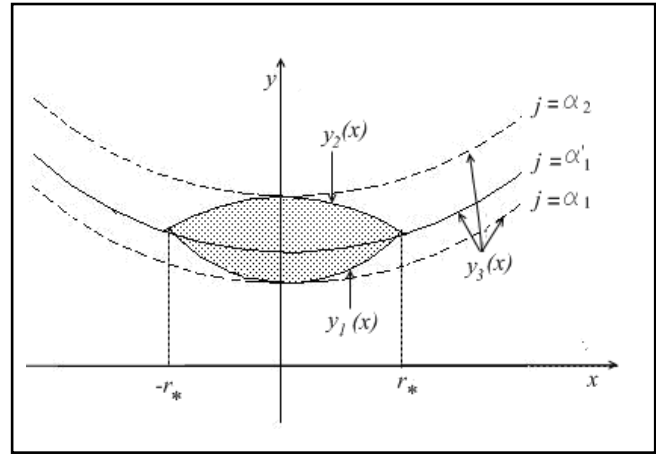
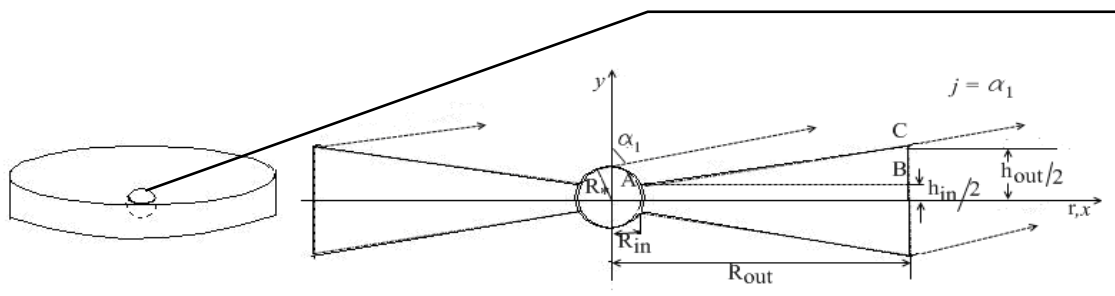
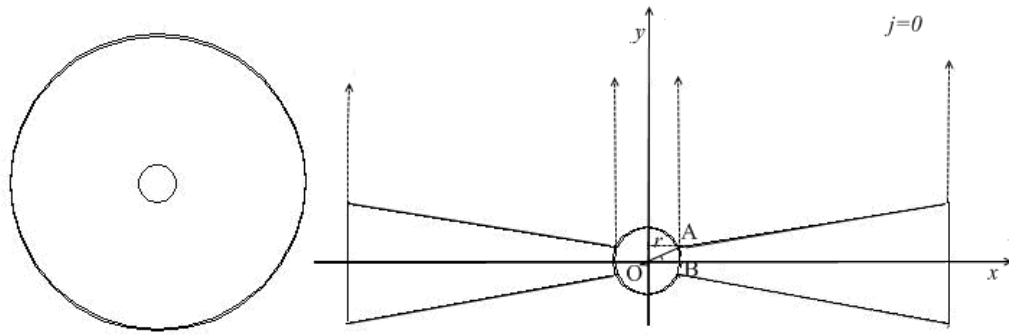


SEDs of circumsubstellar disks versus their age and spatial location

Zakhozhay Olga

Main Astronomical Observatory NAS of Ukraine





Flux dependence on

inclination angle

age

